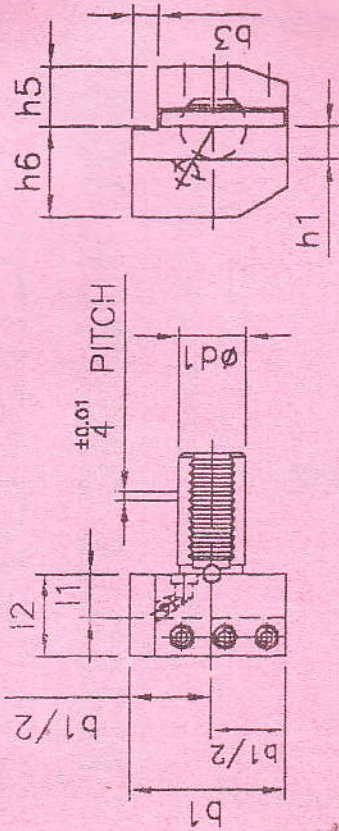


TURNING TOOL HOLDERS (RADIAL) SHORT: FORM B



TURNING TOOL HOLDERS (RADIAL) SHORT

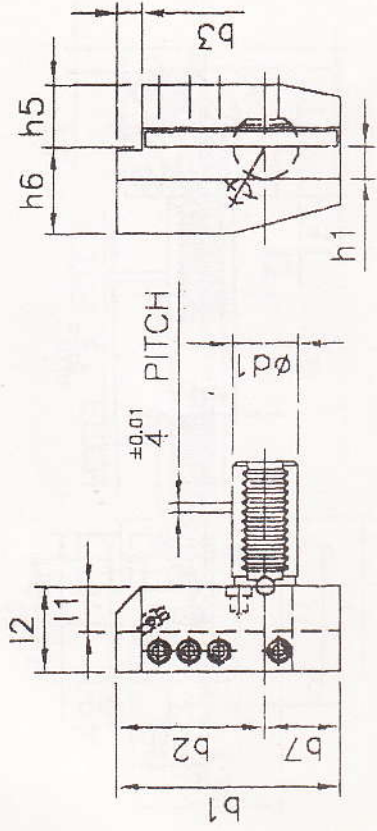
Indent Example

- B1 Right hand Short-Radial Tool Holder
- B2 Left hand Short-Radial Tool Holder
- B3 Right hand Short-Reverse Tool Holder
- B4 Left hand Short-Reverse Tool Holder

DIMENSIONS										DIN : 69880 VDI : 3425	
h1	d1	b1	b3	h5	h6	11	12				
16	30	70	10	28	38	22	40	B1, B2, B3, B4		30 x 16 x 40H	
20	30	70	10	28	38	22	40			30 x 20 x 40H	
20	40	85	12.5	32.5	48	22	44			40 x 20 x 44H	
25	40	85	12.5	32.5	48	22	44			40 x 25 x 44H	
25	50	100	16	35	60	30	55			50 x 25 x 55H	
32	50	100	16	35	60	30	55			50 x 32 x 55H	
25	60	125	16	42.5	62.5	30	60			60 x 25 x 60H	
32	60	125	16	42.5	62.5	30	60			60 x 32 x 60H	
40	80	160	20	55	80	40	75			80 x 40 x 75H	
32	80	160	20	55	80	40	75			80 x 32 x 75H	

NOTE :- ABOVE DIMENSIONS MAY BE CHANGED SUITABLY

TURNING TOOL HOLDERS (RADIAL) LONG: FORM B



TURNING TOOL HOLDERS (RADIAL) LONG

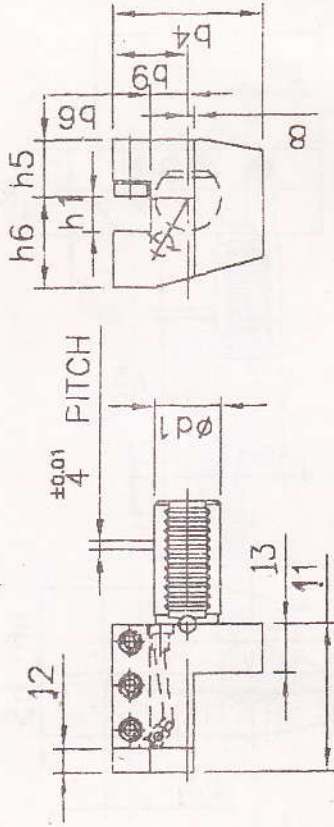
Indent Example

- B5 Right hand Long-Radial Tool Holder
- B6 Left hand Long-Radial Tool Holder
- B7 Right hand Long-Reverse Tool Holder
- B8 Left hand Long-Reverse Tool Holder

DIMENSIONS										DIN : 69880 VDI : 3425	
h1	d1	b1	b2	b3	b7	h5	h6	11	12		
16	30	100	65	10	35	28	38	22	40	B5, B6, B7, B8	
20	30	100	65	10	35	28	38	22	40	30 x 16 x 40H	
20	40	118	75.5	12.5	42.5	32.5	48	22	44	30 x 20 x 40H	
25	40	118	75.5	12.5	42.5	32.5	48	22	44	40 x 20 x 44H	
25	50	130	80	16	50	35	60	30	55	40 x 25 x 44H	
32	50	130	80	16	50	35	60	30	55	50 x 25 x 55H	
25	60	145	82.5	16	62.5	42.5	62.5	30	60	50 x 32 x 55H	
32	60	145	82.5	16	62.5	42.5	62.5	30	60	60 x 25 x 60H	
32	80	190	110	20	80	55	80	40	75	60 x 32 x 60H	
40	80	190	110	20	80	55	80	40	75	80 x 40 x 75H	
										80 x 32 x 75H	

NOTE :- ABOVE DIMENSIONS MAY BE CHANGED SUITABLY

AXIAL TOOL HOLDERS : FORM C



AXIAL TOOL HOLDERS

- C1 Right hand Axial Tool Holder
- C2 Left hand Axial Tool Holder
- C3 Right hand Axial Tool Holder : Reverse
- C4 Left hand Axial Tool Holder : Reverse

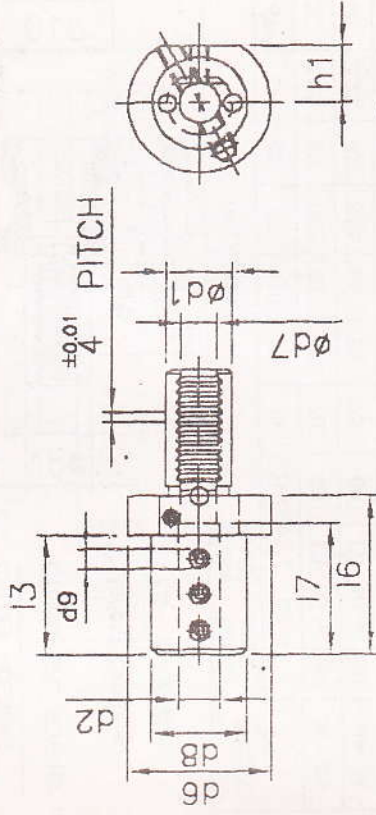
Indent Example

- C1 30 x 16H
- C2 40 x 20H

DIMENSIONS												DIN : 69880 VDI : 3425	
h1	d1	b1	b3	b9	h5	h6	h1	h2	h3	h4	C1, C2, C3, C4		
16	30	70	17	43	28	38	70	10	30	30 x 16H			
20	30	70	17	43	28	38	70	10	30	30 x 20H			
20	40	85	20.5	50.5	32.5	48	85	12.5	30	40 x 20H			
25	40	85	20.5	50.5	32.5	48	85	12.5	30	40 x 25H			
25	50	100	25.5	58	35	60	100	16	40	50 x 25H			
32	50	100	25.5	58	35	60	100	16	40	50 x 32H			
25	60	125	32.5	70.5	42.5	62.5	125	16	40	60 x 25H			
32	60	125	32.5	70.5	42.5	62.5	125	16	40	60 x 32H			
32	80	160	41	88	55	80	160	20	40	80 x 32H			
40	80	160	41	88	55	80	160	20	40	80 x 40H			

NOTE :- ABOVE DIMENSIONS MAY BE CHANGED SUITABLY

BORING BAR HOLDERS : FORM E2



BORING BAR HOLDERS

CYLINDRICAL SEATING :

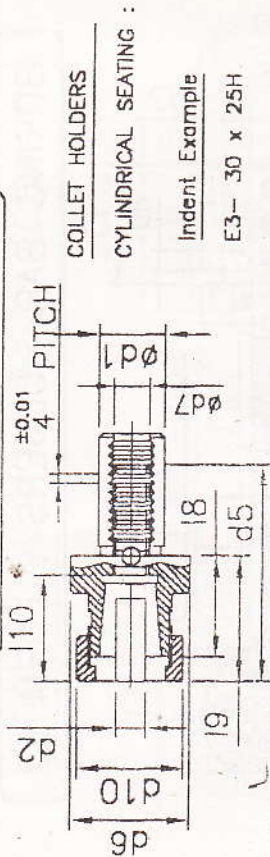
Indent Example

E2 - 40 x 10 x 40

DIMENSIONS												DIN : 69880 VDI : 3425	
d1	d2	d6	d7	d8	d8	h1	h1	h3	h6	h7	E2		
30	10 to 25	68	16.5	55	M6 to M8	28	28	38	60	51	E2-30x10/25		
40	10 to 40	83	20.5	55 to 83	M8 to M10	32.5	32.5	53 to 68	75 to 90	61 to 76	E2-40x10/40		
50	12 to 40	98	26.5	68 to 83	M10 to M12	35	35	65	95	78	E2-50x12/40		
60	16 to 50	123	40.5	68 to 83	M12 to M14	42.5	42.5	70	100	83	E2-60x16/50		
80	25 to 50	158	40.5	98	M14 to M16	55	55	70	100	83	E2-80x25/50		

NOTE :- ABOVE DIMENSIONS MAY BE CHANGED SUITABLY

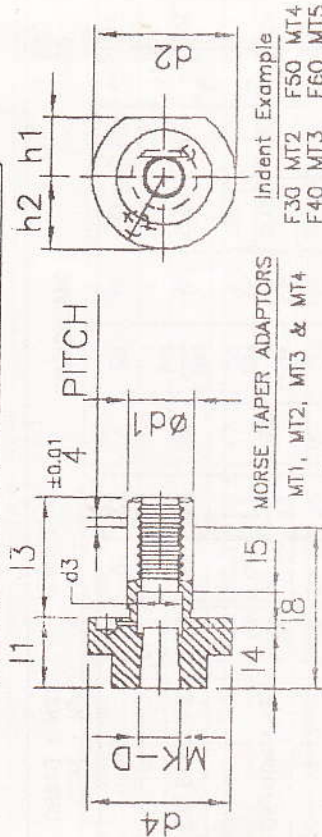
COLLET HOLDERS : FORM E3



DIMENSIONS		DIN : 69880 VDI : 3425		COLLET TYPE	
d1	d2	d3	d4	d5	d6
30	3.25	68	16.5	65	60
40	3.25	83	20.5	65	60
40	4.32	83	20.5	73	90
50	4.32	98	28	73	95
80	10.40	123	28	78	100
			28	78	85

NOTE :- ABOVE DIMENSIONS MAY BE CHANGED SUITABLY

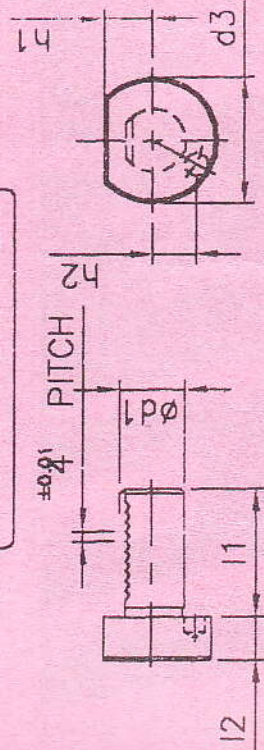
MORSE TAPER ADAPTOR : FORM F



DIMENSIONS		DIN : 69880 VDI : 3425		FMT.....	
MK-D	d1	d2	d3	d4	d5
1,2,3	30	60	-	28	36
1,2,3,4	40	83	-	32.5	36
2,3,4	50	98	-	35	36
2,3,4,5	60	123	-	42.5	36
					80
					92
					15
					138

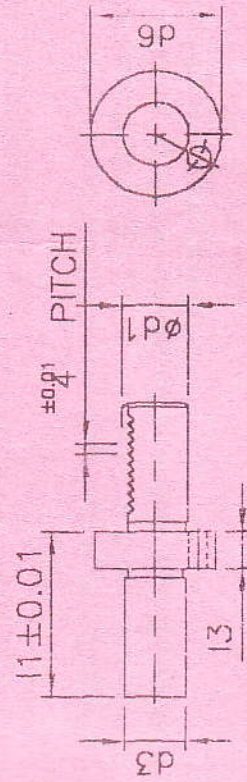
NOTE :- ABOVE DIMENSIONS MAY BE CHANGED SUITABLY

PLUG FORM Z2



DIMENSIONS		DIN : 69880 VDI : 3425	
d1	d2	d3	d4
30	68	28	30
40	83	32.5	-
50	98	35	-
60	123	42.5	-
80	158	55	-

TEST MANDREL



DIMENSIONS		DIN : 69880 VDI : 3425	
d1	d2	d3	d4
30	40	40	68
40	40	40	83
50	40	40	98
60	40	40	123